

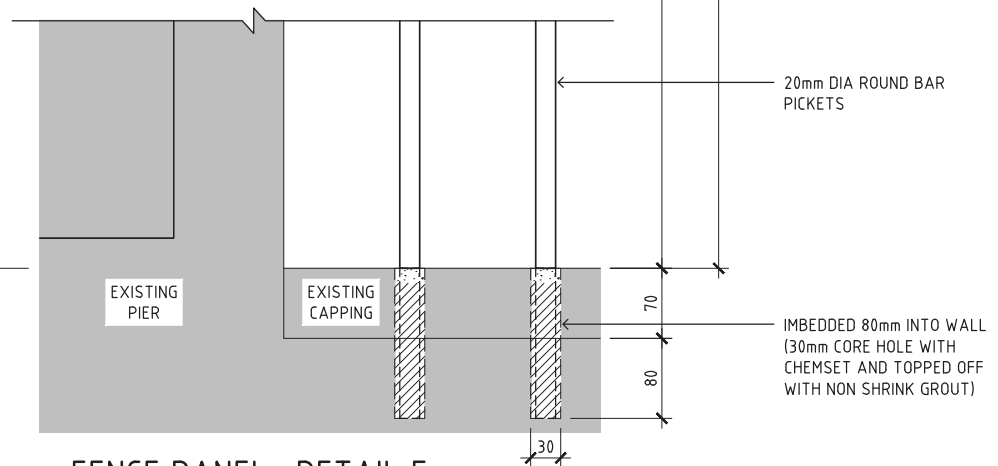
**FENCE PANEL- DETAIL E**

SCALE 1:5

(1440 EXISTING)

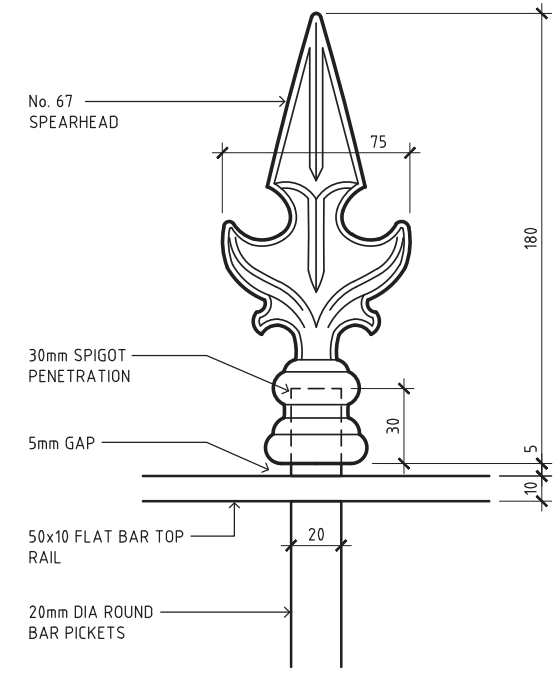
(1440)

(1245)



**FENCE PANEL- DETAIL F**

SCALE 1:5



**SPEARHEAD DETAIL**

SCALE 1:2

DOCUMENT ISSUE			
DA	CC	TEND	CONST
DRAWN		NH	
DATE		SEP 2017	
SCALE		AS SHOWN	
DWG NO.			
<b>A05</b>			
DRAWING			
PROPOSED			
INSTALLATION			
DETAILS			

PROJECT  
PROPOSED INSTALLATION

CONSULTANT

No.	AMENDMENT	DATE	INT
A	ISSUED FOR APPROVAL	07.10.17	NH
B	ISSUED FOR APPROVAL	10.10.17	NH

NOTE  
 1. DO NOT SCALE OFF DRAWINGS.  
 2. ALL DIMENSIONS TO BE CONFIRMED ON SITE PRIOR TO CONSTRUCTION AND/OR INSTALLATION.  
 3. ANY DISCREPANCIES TO BE REVIEWED WITH CLIENT AND CONSULTANT FOR REVIEW.  
 4. ALL WORK TO BE BEST PRACTICE AND TO COMPLY WITH RELEVANT AUTHORITIES, CODES AND AUSTRALIAN STANDARDS.